



STELLAR LIGHTING

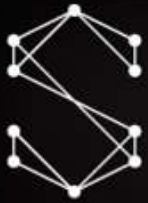
www.stellarlighting.co.uk

Fibre optic starlight panels

Installation guide



CHAPTER 1



Receiving your Stellar Lighting panel





Receiving your Stellar Lighting panel

Your Stellar Lighting fibre optic starlight panel will be delivered to you by courier at an agreed time.

When the panel arrives, inspect the packaging carefully and look for any signs of damage on the packaging.

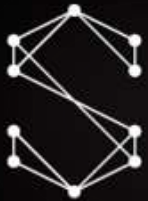
Panels are insured for delivery so if you notice any signs of damage, report it on site to the delivery person, take photos and follow their procedure for handling damaged parcels.

The protective packaging is robust so the panel is well protected.

Before unpacking, move the package to a location away from rain, where you have space to remove the packaging and the installation surface can be accessed easily.

Always place the packaging the correct way up according to the markings.

CHAPTER 2



Before you start





Before you start

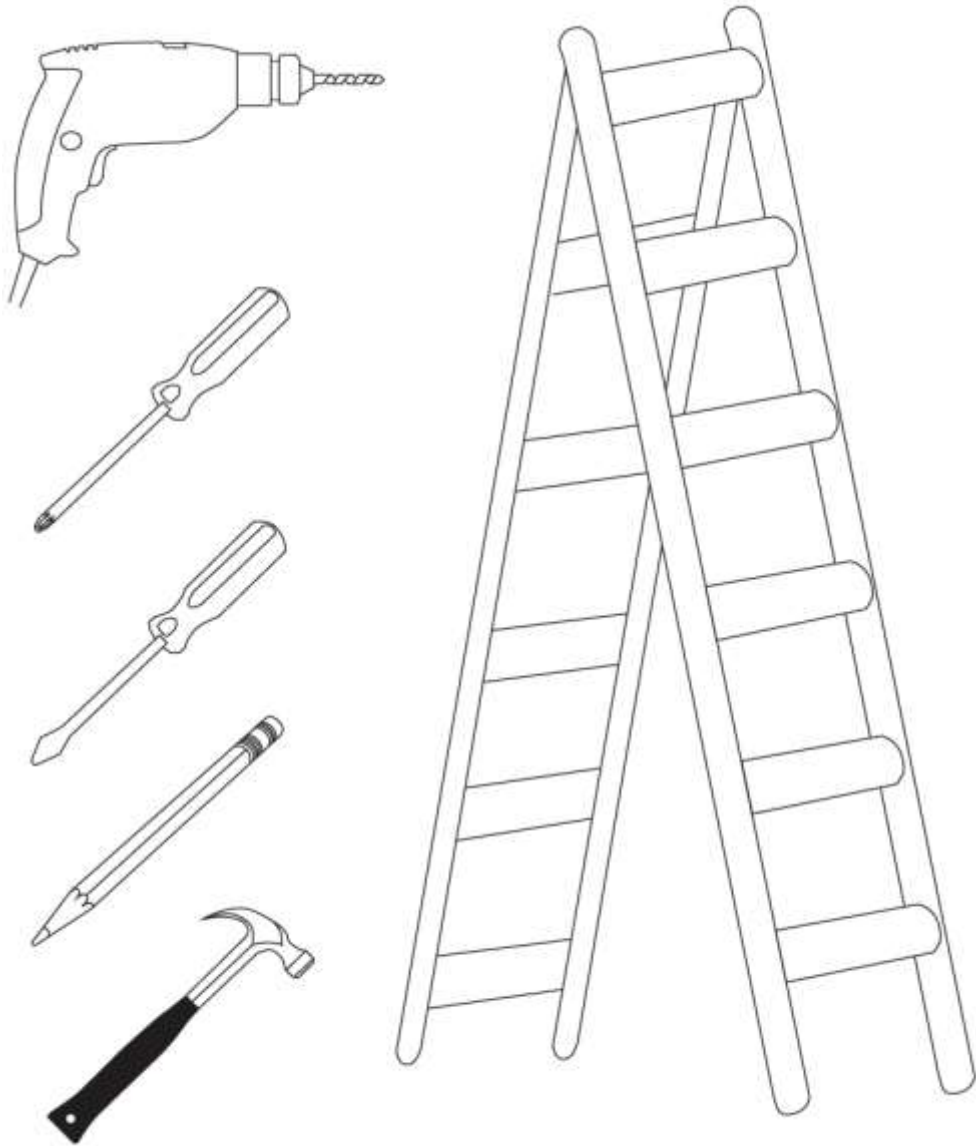
DIY tips and safety advice

- This task will involve working at height. A safe system of work should be established and maintained, in order to prevent injury.
- Consider your safety! Think about the potential risks and dangers of the work and the steps you should take to avoid them.
- Personal protective equipment. Make sure that you are equipped with suitable and sufficient personal protective equipment. This could include eye protection, face mask, protective overalls, safety footwear and gloves.
- Ensure that the work area is sufficiently illuminated.



Before you start

- Check that the tools you will be working with are in a good operating condition. For the installation, you will need a pencil, drill, hammer and screw drivers. Depending on the height of your ceiling and the size of your panel, you will also need one or two ladders and an extra person helping you out.





Before you start

Electrical work safety advice and tips

- Ensure that the room has an available lighting circuit with a suitable wall switch. If your panel has edge lighting, you will need two separate lighting circuits.
- We recommend that the lighting circuits from the consumer unit or distribution board are comprised of twin and earth PVC insulated cable with a minimum conductor size of 1.5 mm².
- An appropriate protective device e.g. fuse or miniature circuit breaker should be installed at the consumer unit. We recommend a 6 A type B MCB for this purpose. If the supply circuit to the ceiling panel is not dedicated, your electrician can advise on protection arrangements.
- Before undertaking any electrical connection work, ensure the circuit is isolated at the consumer unit by turning off the MCB and, if practicable, locking it in the OFF position.

CHAPTER 3



Familiarisation with your panel





Familiarisation with your panel

First, remove the packaging and place the panel upside-down panel on a soft surface to prevent damaging the surface.

If possible, connect the panel's light engine to a suitable power source and make sure it operates as expected.

Your panel is constructed of two interlocking parts: the installation frame and the lighting panel.

The installation frame has pre-drilled holes in the front and side. The lighting panel contains the light engine and optical fibres and is covered with a protective film.

We supply screws and plugs for the type of ceiling indicated at the point of purchase. Please check before installation that these fixtures are suitable for your ceiling.

To fit your panel, you will need to secure the installation panel to the ceiling, connect the lighting circuits, then secure the lighting panel to the installation frame, according to the instructions which follow.

CHAPTER 4



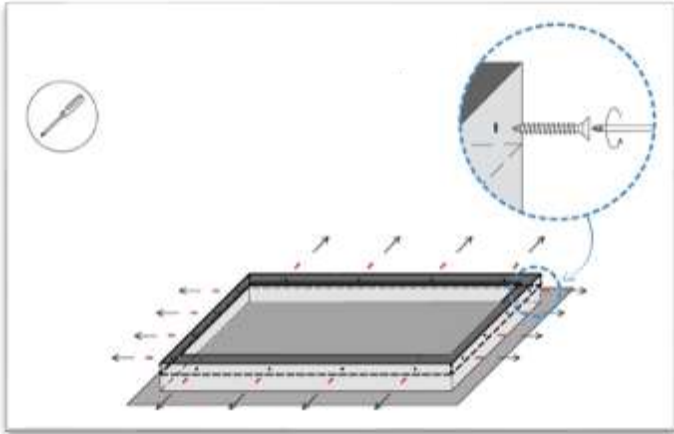
Securing the installation
frame to the ceiling



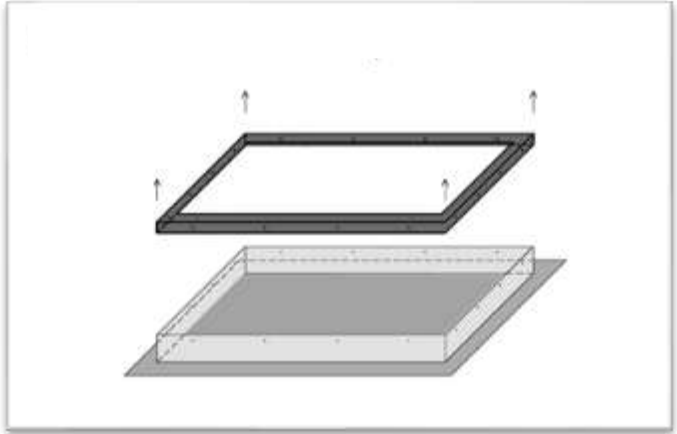


Securing the installation frame to the ceiling

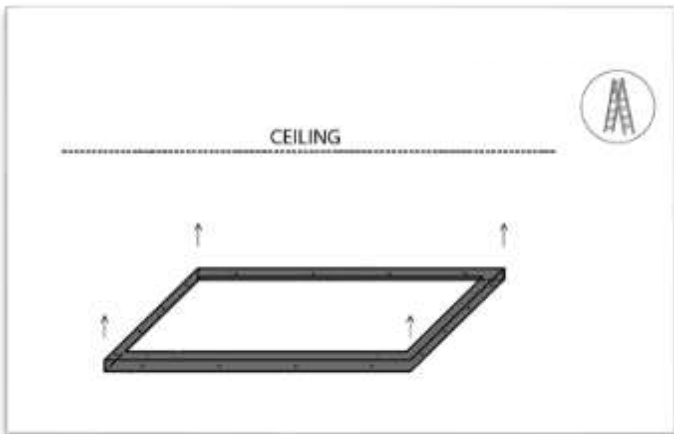
1. Remove the screws from the side of the panel



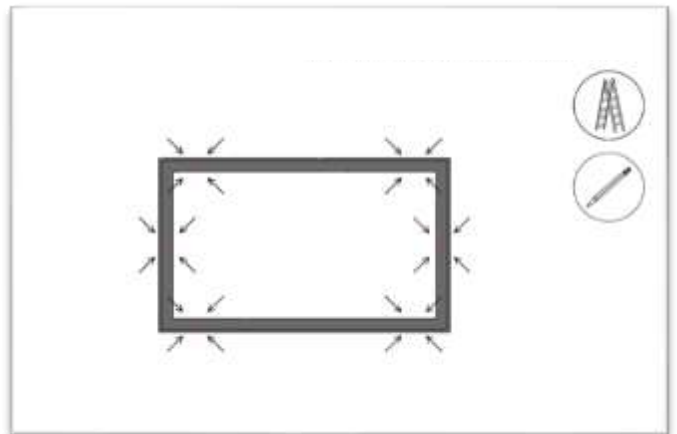
2. Lift the installation frame out of the panel



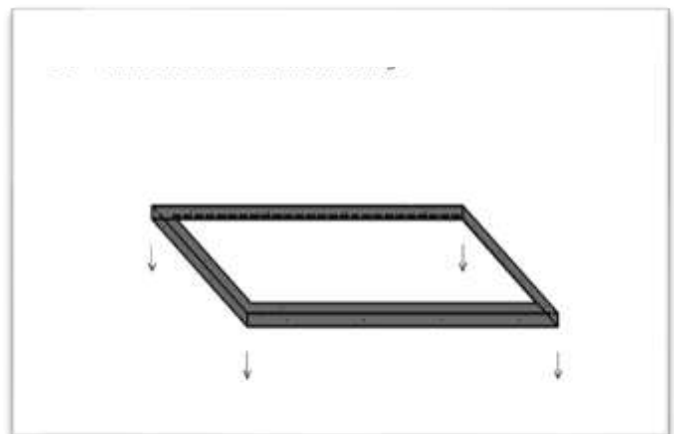
3. Align the frame to the ceiling



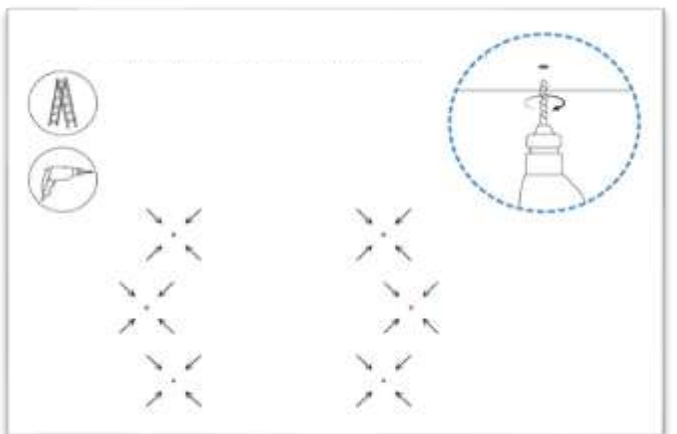
4. Mark the location of the pre-drilled holes on the ceiling, with a pencil



5. Remove the installation frame from the ceiling



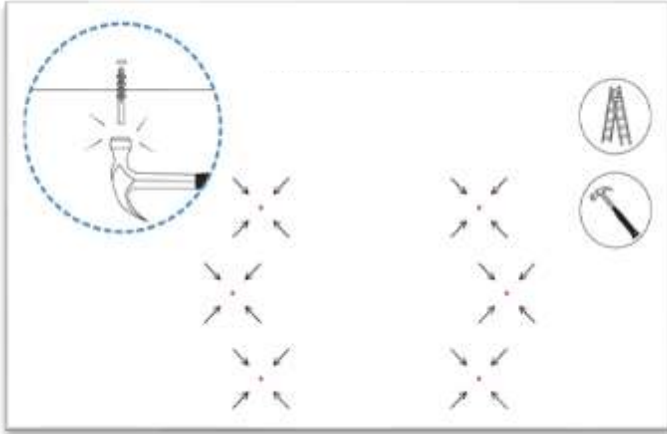
6. Drill the holes for the installation screws



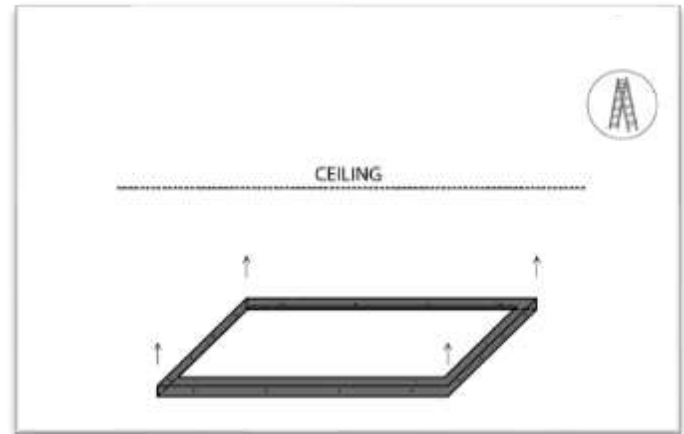


Securing the installation frame to the ceiling

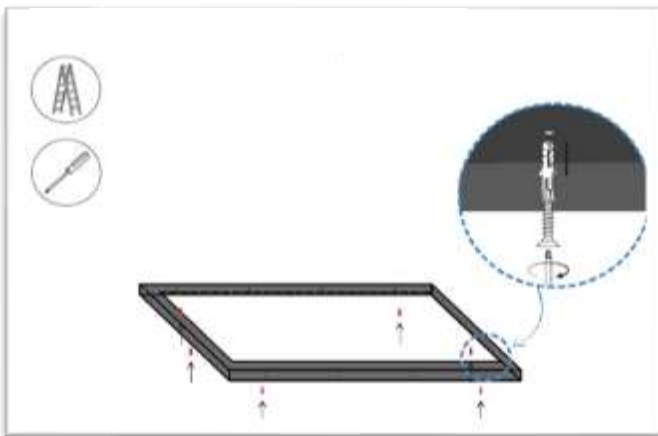
7. Secure the screw plugs in the drilled holes



8. Align the installation frame to the drilled holes on the ceiling



9. Secure the frame to the ceiling with the screws provided



CHAPTER 5



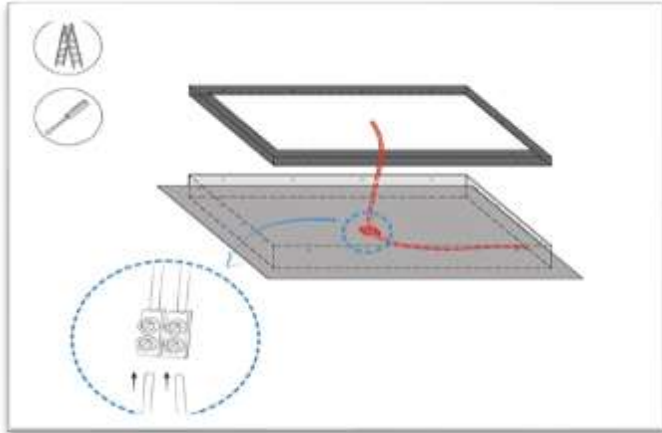
Securing the lighting panel to the installation frame



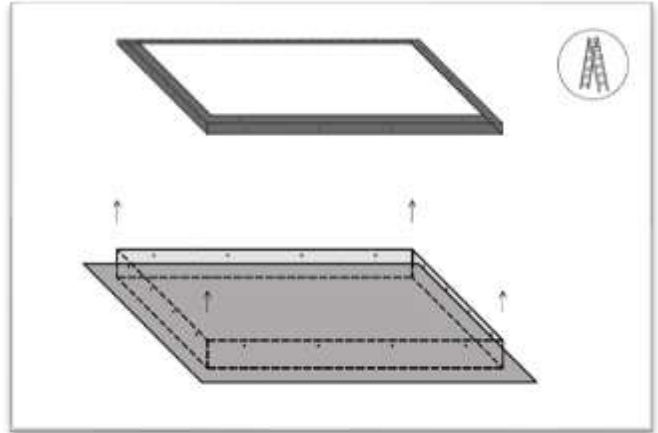


Securing the lighting panel to the installation frame – single panel

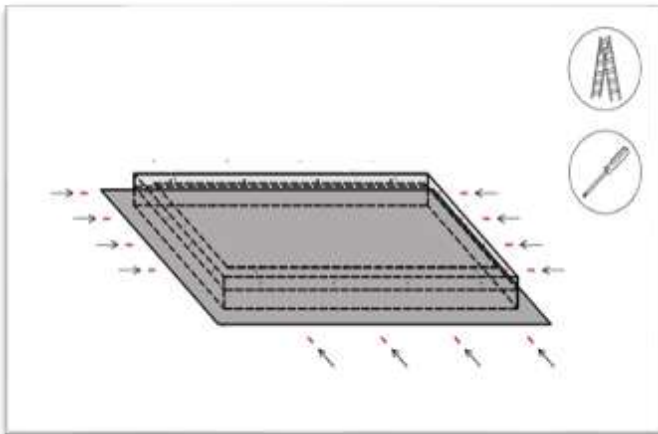
10.a Connect the panel to the mains. At this point, it is a good idea to test the panel by temporarily connecting the mains supply.



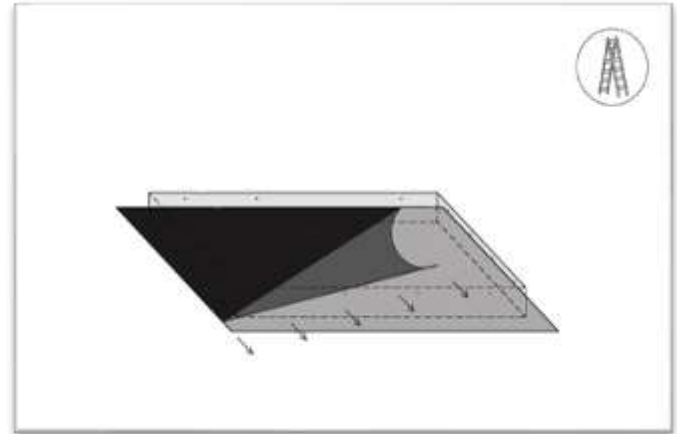
11.a Re-isolate the mains supply to continue the installation. Lift the panel into its final position. The panel should fit around the installation frame.



12.a Using assistance as necessary, secure the panel to the installation frame with the screws provided.



13.a Remove the protective foil from the panel.

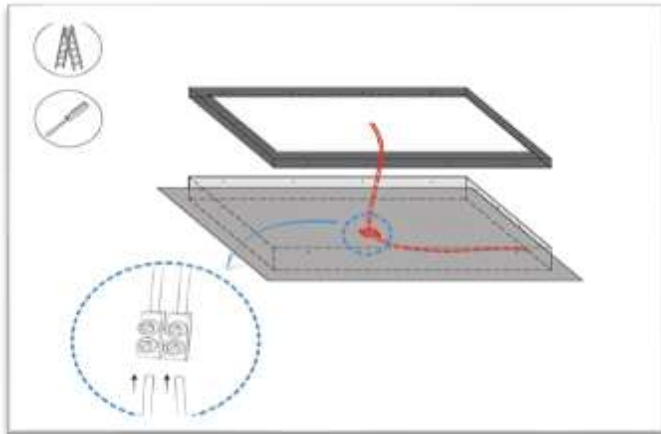


Enjoy the result!

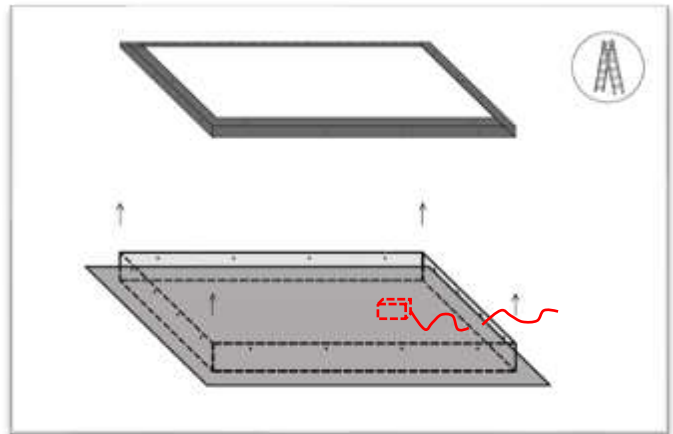


Securing the lighting panel to the installation frame – dual-panel

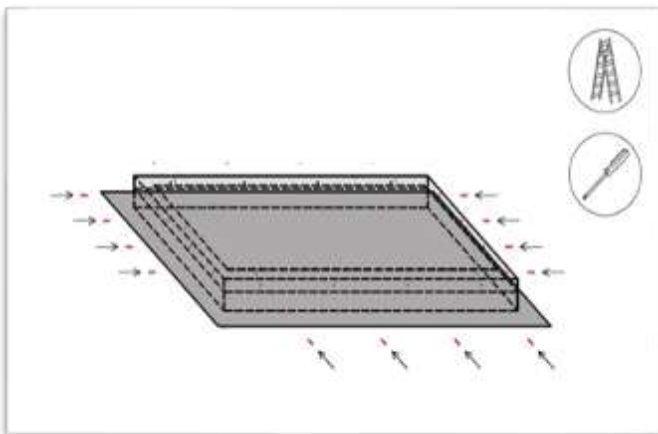
10.b Connect the panel to the mains. At this point, it is a good idea to test the panel by temporarily connecting the mains supply.



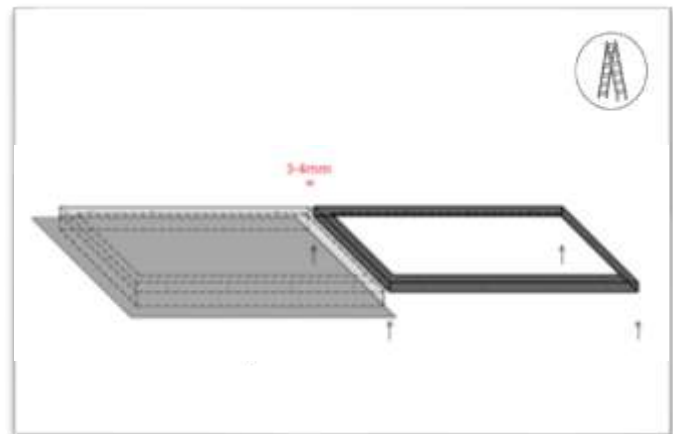
11.b Re-isolate the mains supply to continue the installation. Plug the DMX cable in the panel's light engine and pull the cable through the designated hole on the side of the panel. Lift the panel into its final position. The panel should fit around the installation frame.



12.b Using assistance as necessary, secure the panel to the installation frame with the screws provided.



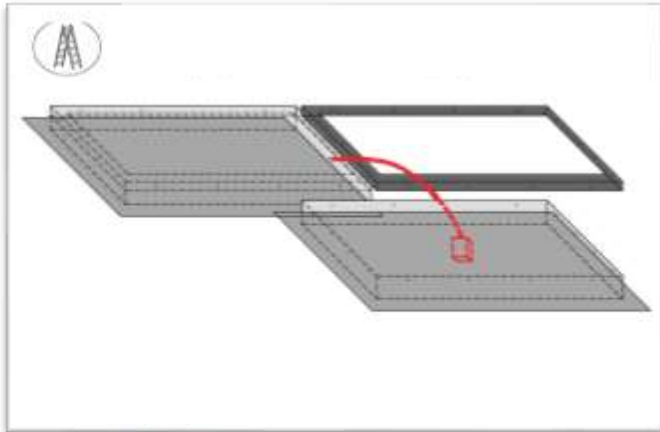
13.b Align the second frame to the ceiling. The frame should be positioned 3-4mm distance from the edge of the first panel.



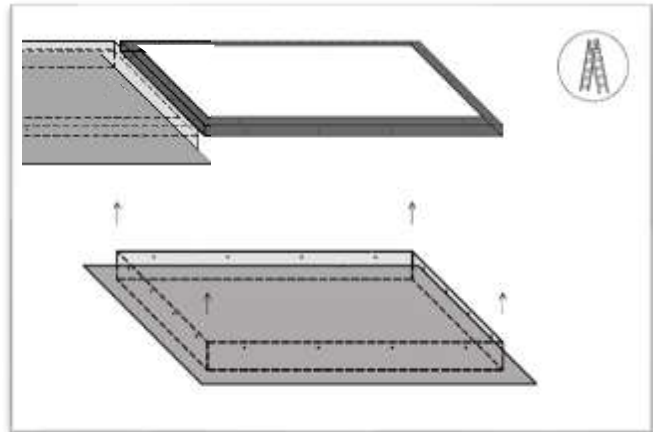


Securing the lighting panel to the installation frame – dual-panel

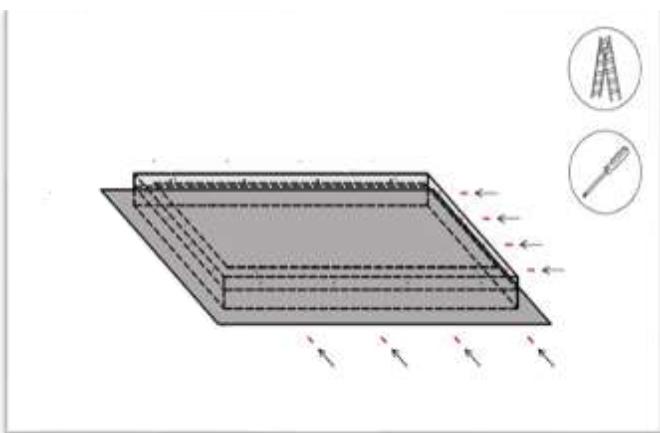
14.b Connect the DMX cable to the second panel's light engine and connect the second panel's light engine to the mains and test it as described in 10.b



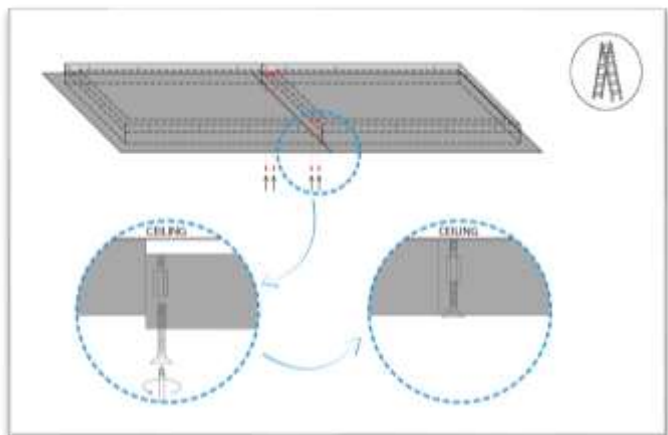
15.b Lift the second panel into its final position. The panel should fit around the installation frame.



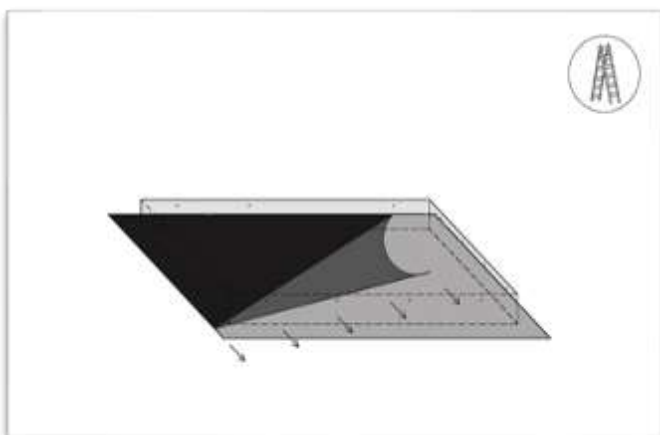
16.b Using assistance as necessary, secure the second panel to the installation frame with the screws provided on three accessible side of the panel.



17.b Using the levelling screws to adjust the panels' height so they align neatly.



18.b Remove the protective foils from the panels.



Enjoy the result!

Notes

Please do take care while working at a height by carrying the tasks out in a safe manner. At least two people are required for the installation; however this is always subject to the dimensions of the panel and you may need additional help.

Electrical work should only be performed by trained and competent persons with sufficient skills and knowledge to avoid danger. If in any doubt, we recommend engaging the services of an approved electrician.

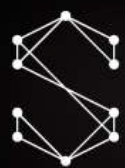
We do not take responsibility for any damage caused by improper installation.

The lighting panel is fragile and requires special attention and care during transport and installation.

The lighting panels should only be installed on dry and smooth surfaces. Wet surfaces (including fresh paint) contain moisture that could short circuit the panel.

If you have any questions, problems or comments regarding the installation or the operation of your Stellar Lighting fibre optic starlight panel, please contact us on

info@stellarlighting.co.uk



STELLAR LIGHTING

www.stellarlighting.co.uk